

CTK ULTIMATE RAIL-POD

#RAIL-POD1

PATENT PENDING

R1

**VERY IMPORTANT
PLEASE READ THOROUGHLY
BEFORE USING CTK RAIL-POD!!**

RAIL-POD FEATURES

FOLDS 90 DEGREES
WITH FAST AND
EASY PUSH BUTTON
OPERATION

LOCKS UP TIGHT IN
EXTENDED AND
FOLDED POSITIONS

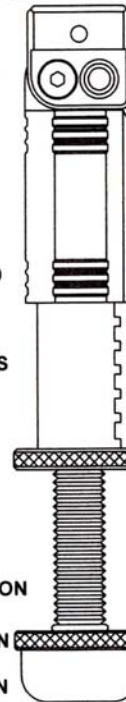
LOW PROFILE
DESIGN IS ONLY
1.24" IN THE FOLDED
POSITION

STREAMLINED
PROFILE FUNCTIONS
AS A BAG-RIDER IN
THE FOLDED
POSITION

SPRING LOADED
POP OUT DESIGN

LOW PROFILE
ONLY 3.46" IN THE
COLLAPSED POSITION

ROLLER BEARING IN
DELFIN FOOT
PROVIDES FRICTION
FREE MOVEMENT



CNC MACHINED FROM
BILLET ALUMINUM FOR
HIGH STRENGTH AND LIGHT
WEIGHT 5.6OZ

DURABLE MILSPEC MATTE
BLACK HARD COAT ANODIZED
FINISH

TWO STAGE TELESCOPING LEG
PROVIDES 360" OF MOVEMENT
AT 100 YDS

CAM LOCKING 1ST STAGE WITH
POSI-LOCK SLOTS GETS YOU
ON TARGET IN SECONDS

2.93" OF MOVEMENT

THREADED 2ND STAGE WILL
FINE TUNE THE ELEVATION

ROTATING
DELFIN FOOT

CTK ULTIMATE RAIL-POD INSTRUCTIONS

(INSTALLATION AND USAGE)

INSTALLATION

STEP 1: LOOSEN CLAMP BOLT AND PLACE CTK RAIL-POD ON PICATINNY RAIL IN DESIRED LOCATION

STEP 2: SECURE THE CTK ULTIMATE RAIL-POD BY TIGHTENING THE CLAMP BOLT.

REVERSE STEPS FOR REMOVAL.

HOW TO USE THE CTK ULTIMATE RAIL-POD

STEP 1: AT ANY TIME THE CTK ULTIMATE RAIL-POD CAN BE FOLDED FROM 90 TO 180 DEGREES BY SIMPLY PUSHING THE BUTTON AND SWINGING THE BODY UNTIL THE SPRING LOADED BUTTON ENGAGES THE LOCKING NOTCH.

STEP 2: UNTHREAD THE 2ND STAGE A FEW TURNS SO THERE WILL BE MOVEMENT UP AND DOWN FOR FINE TUNING.

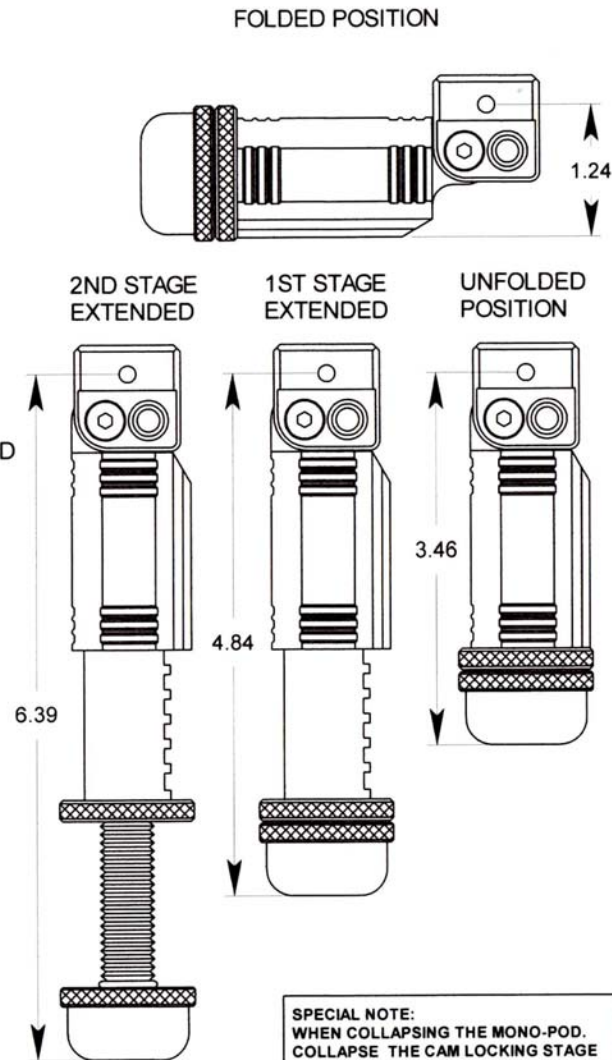
STEP 3: LOOSEN UP THE 1ST STAGE CAM BY TURNING IT COUNTER CLOCKWISE. LET IT POP OUT UNTIL IT CONTACTS THE SURFACE BELOW.

STEP 4: IF MORE LENGTH IS REQUIRED, UNSCREW MORE OF THE THREADED 2ND STAGE.

STEP 5: MOVE THE FIREARM UP AND DOWN UNTIL CLOSE TO POINT OF AIM AND CAM LOCK IT INTO PLACE BY TURNING CLOCKWISE.

STEP 6: MAKE SURE THAT THE CAM LOCK IS TIGHT OR IT WILL COME LOOSE WHEN MAKING THE THREADED FINE TUNE ADJUSTMENTS.

STEP 7: USE THE THREADED 2ND STAGE TO MAKE THE FINE ELEVATION ADJUSTMENTS.



SPECIAL NOTE:

THE CAM LOCK SET SCREW MAY NEED TO BE ADJUSTED PERIODICALLY. TO ADJUST THE SET SCREW YOU MUST FIRST FIND THE CENTER OF THE CAM BY MOVING IT COUNTERCLOCKWISE UNTIL IT STOPS IN THE UP AND DOWN SLOT. NOW TURN THE SET SCREW IN UNTIL IT BOTTOMS ON THE CAM AND BACK IT OUT 3/8 OF A TURN. IF THE SET SCREW TURNS FREELY YOU MUST REAPPLY RED LOCTITE TO THE THREADS.

CTK

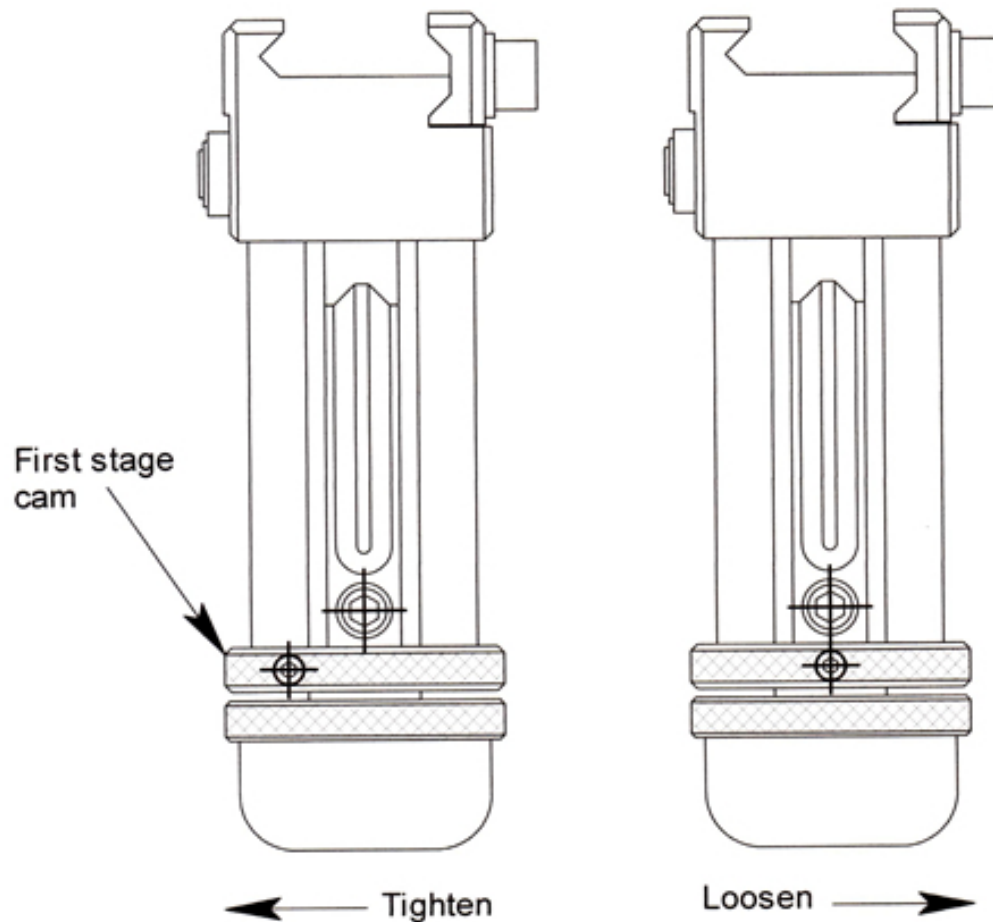
PRECISION

E5861 HERZBERG RD.
 MARION, WI 54950

715-754-2891

www.ctkprecision.com

R1



To loosen the first stage cam lock, turn the first stage cam's knurled knob in the direction that aligns the set screw or index mark on the knurled knob with the set screw in the main body. This position is the Monopod's neutral position and will allow the first stage cam to move up and down.